

Ultraschall-Wärmezähler vario 4.1.3

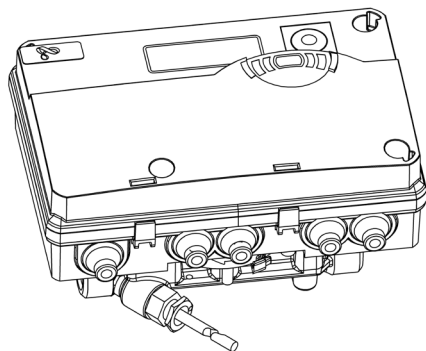
Ultraschall-Kältezähler vario 4.1.3

Ultraschall Kombizähler vario 4.1.3

Ultrasonic heat meter vario 4.1.3

Ultrasonic cold meter vario 4.1.3

Ultrasonic heat-/cold meter vario 4.1.3



DE

GB

FR

PL

IT

DK

NL

SK

TR

BG

RU

NO

ES

CZ

HU

RO

SE

DE

2

GB

17

FR

29

PL

41

IT

53

DK

65

NL

77

SK

89

TR

101

BG

113

RU

125

NO

137

ES

149

CZ

161

HU

173

RO

185

SE

197

Important information

Target group

- Qualified craftsmen
- Specialist personnel trained by Techem

Intended use

The **ultrasonic energy meter type 4.1.3** serves exclusively the physically correct data collection of energy consumption. The meter is an energy meter for universal use in systems for heat and cold measurement. The meter is suitable for water circulating in heating systems (water without additives, exceptions: see AGFW FW510).

If a sealing or user lock of an installed meter is damaged or removed by a person not commissioned by Techem, this meter can no longer be used for legally compliant consumption recording and the calibration become invalid.

Safety and hazard information

- ⇒ The regulations for the use of energy meters must be observed.
- ⇒ The piping system must be fully earthed.
- ⇒ Lightning protection must be guaranteed via the house installation.
- ⇒ Clean the meter only from the outside using a soft, damp cloth.

Power supply

Lithium battery 3.6 V (not a hazardous good), designed to last for the service life of the meter.

Power supply unit

A power supply unit can be retrofitted by a certified, skilled electrician at all times for the use of the meter in control systems devices.

Power supply units with 230V AC are available.




The power supply unit notifies the meter whether mains voltage is connected.

Even in case of mains voltage failure, the recording of the energy values including the activated radio technology remains guaranteed.

Attention: Depending on the use of the optional interfaces, the device's working life can be limited in case of mains failure.

Device properties

The energy meter is available in the following versions:

- **Heat meter** for heat energy measurement (≡) →  1
- **Cold meter** for cold energy measurement (❄) →  2
- **Combination meter** for the combined heat and cold energy measurement (heat with declared conformity) (≡ / ❄) →  3
- Marking the temperature sensor connected to the computer unit:

Temperature sensor	T _H (Heating)	T _C (Cooling)
Sensor marking	R (red)	B (blue)

- The computer unit is detachable.
- Exclusively suitable for Pt 500 temperature sensors

- Delivery with 2 equally long loose sensors. Delivery with one integrated and one loose temperature sensor up to qp 6 m³/h.
- The radio function can be activated by Techem software.
- Due date programmed ex-works: 31.12 can be changed by Techem software.

Adjustable device properties when commissioning:

- Installation location of the volume measuring section in the inlet (🔌) or in the outlet (🔌) (see display).



The installation location may only be re-programmed during commissioning. The table below is valid as a locking condition. Afterwards, the device properties can no longer be changed.

[m ³ /h]	Installation location changeable until Energy progress...	Installation location changeable until Energy progress...
qp 0.6-2.5	10 kWh	0.036 GJ
qp 3.5-10	0.1 MWh	0.36 GJ
qp 15-600	1 MWh	3.6 GJ

Ambient conditions

Installation

- Electrical and magnetic fields can disturb electronic components in the energy meter. Ensure sufficient distance (approx. 10cm) between the computer unit and possible electromagnetic sources (e.g. transformers, electrical motors, etc.).
- Select a dry, easily accessible location.
- In non-condensing environments (except for volume measuring section for cold measurement).
- In closed rooms.
- Not suitable for drinking water applications

Operating conditions

- Flow sensor protection class IP 54
- Ambient temperature Θ: +5 °C...55 °C
- Medium temperature (heat meter) Θ: +5 °C...130°C

Storage conditions:

- Ambient temperatures Θ: -25°C... 70°C


Radio (if activated)

- Transmission frequency: 868.95 MHz; transmission power: < 25 mW


Installation

General installation instructions → 4

- Observe the environmental conditions!
- Do not carry out any welding, soldering or drilling work in the vicinity of the meter.
- Only install meters in operational systems.
- The volume measuring section must be protected against magnetite and dirt for the device's entire working life. A strainer is recommended.

- Shut-off valves must be installed in front of the optional strainer and behind the volume measuring section.
- Underpressure in the pipe system is not admissible.
- Protect meters against damages from impacts or being hit.
- When commissioning, open the shut-off valves slowly.
- Install the volume measuring section in a stress-relieved manner.
Pipelines must be sufficiently fastened and/or supported before and after the volume measuring section.
- In order to guarantee the corresponding meter protection class, it must be ensured that the cable outer diameters for all connection lines (supply cable, temperature sensor cable, MBUS and pulse cable) lie between 3.9 and 4.9 mm.
- Volume measuring sections exceeding DN 125 must be connected to the computer unit on-site, to clamps 10 and 11. → 



Assembly of the volume measuring section

- The flow direction can be recognised from the arrows on the flow measuring section.
→ 
- The meter does not need an inflow or outflow section.
- Preferred installation location (condition as supplied):
 - Heat meter outlet/low temperature
- Optional installation location (configuration change necessary)
 - Heat meter inlet/high temperature
- If replacing a meter, be sure to clean the sealing surfaces of the union piece connector.
Use new seals.
- Open the shut-off devices and check their leak-tightness.
- After installation, perform a function and leak test.

Suitable and unsuitable installation locations →

- A, B: OK,
 C: not OK
 Installation at a high point only if a bleeding option exists.
 D: Only OK in closed systems
 E: not OK- directly after a restriction or a reducing component
 F: not OK- too close on the suction side of a pump
 G: not OK- after a bypass loop in two levels

Installation positions

- Horizontal, vertical or at an angle
- Rotated up to 45° upwards to the pipe axle → 
- Rotated up to 90° downwards to the pipe axle → 
- With low flow volumes or in humid environments, it is recommended that the installation position be tilted by 45° to the pipe axis.



If possible, use the same installation method within one property!

Assembly of the computer unit

The computer unit must be accessible at all times and readable without further aids.

Assembly on volume measuring section up to 100m³/h

- Only admissible between 15° C and 90° C medium temperature.
- In case of media temperatures exceeding 90° C or lower than 15 °C, the computer unit must be mounted separately.

Wall assembly, optionally with mounting kit (art. no. 130026) → 4

- 1 Select a dry, easily accessible location.
- 2 Observe the length of the pipes at the computer unit.
- 3 Mount the computer unit on the wall using the fastening material.


Installation of the temperature sensors

- The flow velocity should be similar for both temperature sensors.
- The temperature sensor type (Pt 500) must match the information on the computer unit name plate.
- Select the connection lines for the temperature sensors as short as possible. Wind the cable length not required up in the vicinity of the computer unit and fix it. Joint laying in cable ducts or on cable racks is not permissible. The minimum distance between low-voltage lines of 5 cm according to EN1434-6 must be adhered to.
- Existing temperature sensors can be replaced with permissible 2 and 4 wire sensor pairs.

Information regarding the assembly of the paired 2 wire temperature sensor (model PS)



The cables from 2 wire temperature sensor pairs may neither be shortened nor extended. These temperature sensors may only be installed as delivered.

- For heat meters up to qp 6m³/h, temperature sensors can be installed in special ball valves or in dip sleeves which are approved for this type. National regulations must be observed.
- For the creation of a symmetrical sensor installation situation, it is possible to install the sensor installed in the volume measuring section in a different metering point. The open position on the volume measuring section is then closed with the sealing plug (art. no.: 130030).
- The maximum cable length for the 2 wire temperature sensor Pt 500 is 10 m.
- The sensor in the warmer section (T_{VL}) is connected to clamps 5 and 6, the sensor in the colder section (T_{RL}) to clamps 7 and 8 (attention: connections for the cold meter vary). Bridging is not required. →  8

Directly dipping sensor assembly in special ball valve → 11

- 1 Remove the pressure from the sensor installation location.
- 2 Unscrew the closing screw from the special ball valve.
- 3 Place the enclosed O-ring on the assembly pin. Only use one O-ring.
When replacing sensors, replace the old O-ring with a new one.
- 4 Using the assembly pin, turn the O-Ring into the bore hole of the closing screw with a rotating movement.
- 5 Place the O-ring in its final position using the other end of the assembly pin.

- 6 Place the assembly pin over the temperature sensor.
- 7 Fix the brass screw fitting on the sensor using the assembly pin. For this purpose, the installation direction of the grooved pin is to be observed.
- 8 Insert the temperature sensor with the screw fitting into the ball valve.
- 9 Tighten the brass screw fitting manually (without tool).




When installing in dip sleeves, the sensors must be pushed in down to the bottom of the dip sleeve and then fixed.

Sealing

- After installation and inspection, the temperature sensor and the interface between meter and pipeline must be sealed.

Information regarding connection of 4 wire temperature sensors

- Optionally, also 4 wire temperature sensors, such as head sensors, can optionally be connected to the computer unit.
- The maximum cable length for the 4 wire temperature sensor Pt 500 is 25 m.
- The sensor located in the **warmer section** (T_{VL}) is installed on clamps 1, 5, 6 and 2. The sensor located in the **colder section** (T_{RL}) is installed on clamps 3, 7, 8 and 4 (attention: connections for the cold meter vary). → 

Cold meter

This chapter only describes the properties and functions of the cold meter which differ from those of the heat meter.


Operating conditions

- Flow sensor protection class IP 65
- Medium temperature Θ : +3 °C ... 50 °C

General installation instructions →


- Always mount the computer unit separately from the volume measuring section (e.g. using an optional mounting kit).
- Insulate the volume measuring section in an impermeable manner.
- This meter is not suitable for glycol/water mixtures (incorrect measurement).
- Lay the connection of the volume measuring section and temperature sensor to the computer unit with a drip loop for condensation water.
- Always feed the cable into the computer unit from below.

Assembly of the volume measuring section

- Preferred installation location (condition as supplied): → 
 - Cold meter outlet/high temperature
- Optional installation location (configuration change necessary)
 - Cold meter inlet/low temperature

Installation of the temperature sensors

Information regarding connection of 2 wire temperature sensors (model PS)

- The sensor in the colder section (T_{VL}) is connected to clamps 5 and 6, the sensor in the warmer section (T_{RL}) to clamps 7 and 8. Bridging is not required. → 

Information regarding connection of 4 wire temperature sensors

- The sensor located in the colder section (T_{VL}) is installed on clamps 1, 5, 6 and 2.
- The sensor located in the warmer section (T_{RL}) is installed on clamps 3, 7, 8 and 4.

→ 

Combination meter

This chapter only describes the properties and functions of the combination meter which differ from those of the heat meter.

Operating conditions

- Flow sensor protection class IP 65
- Medium temperature Θ : +3 °C ... 90 °C

General installation instructions

- Always mount the computer unit separately from the volume measuring section (using a mounting kit).
- Insulate the volume measuring section in an impermeable manner.
- This meter is not suitable for glycol/water mixtures (incorrect measurement).
- Lay the connection of the volume measuring section and temperature sensor to the computer unit with a drip loop for condensation water.

Installation positions

- Mount the volume measuring section rotated by $\leq 45^\circ$ in relation to the horizontal pipe axis.
- Always feed the cable into the computer unit from below.



Assembly of the volume measuring section

- Preferred installation location (condition as supplied):
 - Combination meter outlet/low temperature (with heat)
- Optional installation location (configuration change necessary)
 - Combination meter inlet/high temperature (with heat)

Expansion modules

- The energy meter has a port for expansion modules.
- The modules have no retroactive effect on consumption recording and can be retrofitted without damaging the calibration mark.
- The computer unit incorporates automatic recognition and display of the module placed on the ports.
- When radio and simultaneously M-Bus or M-Bus reading frequency are used for less than 15 minutes, a power supply unit must be installed.

Installation of the modules


- 1 Release and remove the four Torx screws (T20) from the housing lid and remove the cover.
- 2 Insert and engage the module via lugs. →  
- 3 Remove the nipple from the corresponding cable entry grommets using a pair of pliers.
- 4 Push the M-Bus or pulse cable through the entry grommet.
- 5 Place the cable in the strain relief and connect to the modules.
- 6 Close the cover and screw together (recommended tightening torque 1.8 Nm).
- 7 Press the push button to check the meter function.



The computer unit recognises a new module after approx. 2 minutes at the latest. Recognition takes place immediately when the button is pressed briefly, e.g. for communication with new Techem software.

- 5 Seal the housing lid.

Installation of the power supply unit

- 1 Release and remove the four Torx screws (T20) from the housing lid and remove the cover.
- 2 Place the power supply unit in the lower part of the computer unit on the left-hand side. →  10
- 3 Attach the connector plug to the connector PCB.
- 4 Guide the supply cable into the lower part of the computer unit through the entry grommet on the left-hand side.
- 5 Connect the supply cable to the supply clamps, place the clamp cover on top and screw it down firmly with screws.
- 6 Close the device cover and screw together (recommended tightening torque 1.8 Nm).



If a power supply unit is used, clamping may under no circumstances whatsoever be made between the two phases as this would destroy the power supply unit. Touch protection can be installed at all times. The supply line must be secured with a maximum of 6 A and against manipulation.

Displays/operation

Using the push button, you can switch through the individual displays, please refer to the chapter Display levels.

Info codes

If an error occurs, the info code will be displayed in the main ribbon. By pressing the button, you can still select all other windows.

Code	Meaning
C-1	The meter has a permanent fault and must be replaced. The readout values cannot be used.
E-1	Faulty temperature measurement <ul style="list-style-type: none">• Outside the temperature range• Sensor short circuit• Sensor breakage• Swap the device.
E-2	Radio communication permanently defective. The current value read at the meter (not the due date value) can be used. The meter must be exchanged.
E-3	Return sensor registers a higher temperature than the flow sensor. (Heat meter) Return sensor registers a lower temperature than the flow sensor. (Cold meter)
E-4	Flow sensor faulty. Swap the device.
E-5	Reading via the optical interface too frequent. The meter measurement is perfect. - In order to save electricity, the optical interface is out of operation for about 24 hours.

Code	Meaning
E-6	Meter recognises an incorrect flow direction. Check the installation.
E-7	No reasonable ultrasonic receive signal. Usually: Air in the pipe

Info codes are displayed in a separate sequence on the display. As soon as the error/s is/ are rectified, the sequence is also no longer displayed.

* If several errors occur, they will be shown in the display from the left to the right. Error C1 is an exception and is only displayed alone.

Fault clearance

Please check the following points before looking yourself for a defect in the heat meter:

- Is the heating on?
- Is the circulation pump running?
- Are the shut-off devices fully open?
- Is the pipe free (possibly clean the strainer)?

If error **E6** occurs, please follow these steps:

- 1 Check the meter installation.
- 2 Generate a positive flow.
- 3 Check the current flow (LCD).
- 4 Wait until the LCD is off again (approx. 5 min).
- 5 Press the button again.
- 6 The result of flow direction recognition is only displayed after 5 sec.
- 7 Check LCD as to whether E6 is now off.



The meter needs to be replaced if E6 has not gone off.

Display levels

The display is switched off under normal operation. Approx. 5 minutes after the last time a key is pressed, the display is deactivated automatically. The flow rate/temperature display is always updated every 5 sec. The meter has 4 display levels. You can switch between the display levels using a long push of the button. A short push of the button takes you to the next display within a level.

Some windows contain several sequences. In these windows, the screen switches to the next sequence automatically every 2 sec.

① Primary ribbon			
	Sequence 1	Sequence 2	Sequence 3
PF	Error notification (if applicable)		
88	Segment test		
PH	Heat energy ¹		
PC	Cold energy ²		
P1	Due date *	Due date value [thermal energy]	Due date value [cooling energy]
P2	Cumulated volume		
P3	Flow rate		
P4	Max. flow rate value		
P5	Inlet temperature		
P6	Outlet temperature		
P7	Temperature difference		
P8	Performance		
P9	Max. value output [thermal energy] (current period)	Max. value output [cooling energy] (current period)	

② Metrological configuration			
	Sequence 1	Sequence 2	Sequence 3
C0	Config		
C1	Configuration, energy unit	kWh	
C2	Configuration, energy unit	MWh	
C3	Configuration, energy unit	GJ	
C4	Configuration, installation location	Outlet (RL)	
C5	Configuration, installation location	Inlet (VL)	
CE	End of configuration		

③ Secondary ribbon			
	Sequence 1	Sequence 2	Sequence 3
S0	Info		

S1	Radio on/off (only for devices with radio)			
S2	Future due date			
S3	Serial number			
S4	Firmware version calibration relevant part	Firmware version not a calibration relevant part	Firmware version – Techem part	Firmware check sum calibration relevant part
S5	M-bus primary address			
S6	Module code			
S7	Pulse output 1, unit, valency			
S8	Pulse output 2, unit, valency			
S9	Pulse input 1, unit, valency			
SM	Glycol mix			

Module recognition

“_”	No module
“mbus”	M-Bus module
“pulsOut”	2x pulse output modules

④	Metrological log		
	Sequence 1	Sequence 2	Sequence 3
L0	Log		
L1	Date (entry 1)	<ul style="list-style-type: none"> • Unit • Installation location • Deletion of event log • Decimal place • Reset in production mode • Setting of time 	
L2	Date (entry 2)	<ul style="list-style-type: none"> • Unit • Installation location • Deletion of event log • Decimal place • Reset in production mode • Setting of time 	
L3	Date (entry 3)	<ul style="list-style-type: none"> • Unit • Installation location • Deletion of event log • Decimal place • Reset in production mode • Setting of time 	

L4	Date (entry 4)	<ul style="list-style-type: none"> • Unit • Installation location • Deletion of event log • Decimal place • Reset in production mode • Setting of time 	
L5	Date (entry 5)	<ul style="list-style-type: none"> • Unit • Installation location • Deletion of event log • Decimal place • Reset in production mode • Setting of time 	

1 Only with heat meters or heat/cold meters

2 Only with cold meters or heat/cold meters

* Before the first due date: Production date or optional starting date

KT = **Short** button press **< 3s**

LT = **Long** button press **≥ 3s** and **< 10s**

2s = **No** button press, **automatic switching** of the display **after 2s**

Configuration level - to set the variable device properties

- C4 – C5 "Place" - Installation location (☒) - outlet/ (☑) - inlet)

To set e.g. the **inlet** place of installation, the following procedure is required:

1 Change to the ribbon "Metrological configuration" (C0- Config)

2 Press the button briefly until the C5 display appears.

3 Then, press the button longer until the display changes to "Set".

4 Inlet has been set.



Observe the installation location for the temperature sensors or assemble programming temperature sensors accordingly.










5 To set the energy unit, proceed in the same way.

Please note:

If the button is not activated, the display jumps back to "C0 – Config".

Restriction of parametrisation, see "Device properties" chapter.

Icons (Name plate/display)

	Heat meter (heat energy)	T	e.g. 00555102	Article number	T
	Cold meter (cooling energy)	T	e.g. IP	Meter protection class	T
	Combination meter, heat with declared conformity	T	e.g. E1	electromagnetic precision class	T
	Inlet	D	e.g. M1	mechanical precision class	T
	Outlet	D	e.g. DE-17-MI004-...	Conformity number	T
	Error display (warning triangle) for all displays	D	qi [m ³ /h]	lowest flow rate (at qi/q _p = 1:50)	T
	Representation for the respective display areas	D	qp [m ³ /h]	Nominal flow rate	T
	Display of flow direction	D	qs [m ³ /h]	highest flow rate	T
	Marking the calibrated value (for the statement)	D	Θ / Θ _q [°C]	Temperature range	T
CE M... ..	Calibration year, notified body, ...	T	ΔΘ [K]	Temperature difference	T
PN/PS	Pressure level	T	4s	Temperature measure- ment rate 4 seconds	

Key

D = Display

T = Name plate

Viktig informasjon

Målgruppe

- Kvalifiserte faghåndverkere
- Kvalifisert personell opplært av Techem

Tiltenkt bruk

Ultrasonisk energimåler av type 4.1.3 brukes bare til fysisk korrekt registrering av energiforbruk. Måleren er en energimåler for universell bruk i systemer for måling av varme eller kulde. Måleren er beregnet til sirkulasjonsvann (vann uten tilsetninger) i varmetekniske anlegg (unntak: se AGFW FW510).

Hvis en plombering eller brukersikring på en installert måler blir skadet eller fjernet av en person som ikke er tildelt oppdrag av Techem, kan denne måleren ikke lenger brukes til lovlig samsvar med registrering av forbruk, og kalibreringsgyldigheten utløper.

Sikkerhets- og fareinformasjon

- ⇒ Følg forskriftene for bruk av energimålere.
- ⇒ Rørledningssystemet må hele tiden være jordet.
- ⇒ Lynavleder må være sikret over husinstallasjonen.
- ⇒ Måleren må bare rengjøres utenpå med en lett fuktet klut.

Strømforsyning

3,6 V litiumbatteri (ikke farlig gods) er konstruert for målerens levetid.

Strømadapter

En strømforsyningsenhet kan når som helst ettermonteres av en sertifisert elektriker for bruk av måleren i kontrollanlegg.

Strømadaptere med 230 V AC er tilgjengelig.




Strømadapteren varsler måleren om det finnes nettspenning.

Selv om nettspenningen svikter, er registrering av energiverdiene - inkludert aktivert radioteknologi - fortsatt garantert.

NB! Avhengig av bruken av de valgfrie grensesnittene, vil enhetens levetid kunne være begrenset i tilfelle strømbrydd.

Målerens egenskaper

Energimåleren finnes i følgende utførelser:

- **Varmemåler** til måling av termisk energi (☺☺☺) →  1
- **Kuldemåler** til måling av kuldeenergi (☹☹☹) →  2
- **Kombimåler** til måling av kombinert varme- og kuldeenergi (varme samsvarsdeklart) (☺☺ / ☹☹) →  3
- Identifikasjon av temperaturfølerne som er koblet til regneverket:

Temperaturføler	T _H (Heating)	T _C (Cooling)
Føleridentifikasjon	R (rød)	B (blå)

- Telleverket kan tas av.
- Passer utelukkende til Pt 500-temperaturføler
- Levering med to frie følere av samme lengde. Leveres med en integrert og en fri temperaturføler inntil qp 6 m³/t.

- Radiofunksjonen kan aktiveres med Techem-programvaren.
- Still inn stikkdagen som er programmert fra fabrikk: 31.12. kan endres med Techem-programvare.

Innstillbare måleregenskaper ved idriftsettelse:

- Installasjonssted for volummåledelen i foroverløp (☞) eller i tilbakeløp (☜) (se display).



Installasjonsstedet kan bare omprogrammeres under igangkjøring. Tabellen nedenfor gjelder som en blokkeringsbetingelse. Etter det er det ikke lenger mulig å endre enhetens egenskaper.

[m ³ /t]	Installasjonsstedet kan endres inntil energiframskritt...	Installasjonsstedet kan endres inntil energiframskritt...
qp 0,6-2,5	10 kWh	0,036 GJ
qp 3,5-10	0,1 MWh	0,36 GJ
qp 15-600	1 MWh	3,6 GJ

Miljøfaktorer

Installasjon

- Elektriske og magnetiske felt vil kunne forstyrre elektroniske komponenter i energimåleren. Forsikre deg om at det er tilstrekkelig avstand (ca. 10 cm) mellom regneverket og mulige elektromagnetiske kilder (f.eks. transformatorer, elektriske motorer osv.).
- Velg et tørt, lett tilgjengelig sted.
- I et ikke-kondenserende miljø (med unntak av volummåledelen for kaldmåling).
- I lukkede rom.
- Ikke egnet for bruksformål som har med drikkevann å gjøre

Driftsvilkår

- Beskyttelsesmåte flowsensor IP 54
- Omgivelsestemperatur Θ: +5 °C...55 °C
- Middeltemperatur (varmemåler) Θ: +5 °C...130°C

Lagringsbetingelser

- Omgivelsestemperaturer Θ: -25°C... 70°C

Fjernavlesing (hvis aktivert)

- Sendefrekvens: 868,95 MHz; sendeeffekt: < 25mW

Montering


Generelle monteringsregler → 4

- Ta hensyn til forholdene i omgivelsene!
- Ikke utfør sveising, lodding eller boring i nærheten av måleren.
- Installer bare målere i anlegg som er klare til drift.
- Volummåledelen må være beskyttet mot magnetitt og smuss i hele enhetens levetid. En smussfanger anbefales.
- Avstengningsenheter må installeres foran den valgfrie smussfellen og bak volummåledelen.
- Undertrykk i rørsystemet er ikke tillatt.

- Beskytt måleren mot skader som følge av støt og slag.
- Åpne avstengningsenhetene sakte ved idriftssetting.
- Installer volummåledelen spenningsfritt.
Rørledningene må være tilstrekkelig festet eller støttet foran og bak volummåledelen.
- For å sikre målerens korresponderende beskyttelsesklasse, må en sørge for at alle tilkoblingsledningers (netttilkoblingsledningens, temperaturfølerkabelens, MBUS' og pulskabelens) ytre kabeldiameter er mellom 3,9 og 4,9 mm.
- Volummåledeler fra DN 125 må kobles til regneverket på stedet, klemmene 10 og 11. →



Montering av volummåledel

- Gjennomstrømningsretningen er indikert med pilene på volummåledelen. → 
- Måleren krever ikke noen innløps- eller utløpsstrasé.
- Foretrukket installasjonssted (tilstand ved utlevering):
 - Varmemåler tilbaketilsluttet/lav temperatur
- Valgfritt installasjonssted (konfigurasjonsendring nødvendig)
 - Varmemåler foroverløp/høy temperatur
- Når du bytter måler, må du rengjøre tetningsflatene på skruetilkoblingen. Bruk nye tetninger.
- Åpne avstengningsenhetene og se etter lekkasjer.
- En lekkasje- og funksjonstest må utføres etter montering.

Egnede og uegnede monteringssteder →

A, B: OK,

C: ikke ok

Installasjon på et sted høyt oppe bare med tilgjengelig ventilasjon.



D: Bare OK i lukkede systemer


E: ikke OK – umiddelbart etter en innsnevring eller strupende komponent

F: ikke OK – for nærme sugesiden på en pumpe

G: ikke OK - etter en avbøyning i to plan

Installasjonsposisjoner

- Horizontal, vertikal eller skråstilt
- Rotert opptil 45° oppover i forhold til → 
- Rotert opptil 90° nedover i forhold til røaksen → 
- Ved lave volumstrømmer eller i fuktige omgivelser anbefales en 45° skrå monteringsposisjon i forhold til røaksen.

 Monter mest mulig likt på samme eiendom!

Montering regneverk

Regneverket må alltid være tilgjengelig og kunne avleses uten hjelpemidler.

Montering på volummåleenhet opptil 100 m³/t

- Kun tillatt mellom 15 °C og 90 °C middeltemperatur.
- Ved middeltemperaturer på over 90 °C eller under 15 °C må regneverket monteres eksternt.

Veggmontering, valgfritt med monteringssett (art. nr.: 130026) → 4


- 1 Velg et tørt, lett tilgjengelig sted.
- 2 Vær nøye med ledningenes lengde ved regneverket.
- 3 Monter regneverket ved hjelp av festematerialet til veggen.

Montering av temperaturfølere

- Strømningshastigheten bør være lik for begge temperaturfølere.
- Temperaturføler typen (Pt 500) må samsvare med informasjonen på regneverkets typeskilt.
- Hold tilkoblingskablene til temperaturfølerne så korte som mulig. Vikle opp og fest den overflødig kabellengden i nærheten av regneverket. Det er ikke tillatt å legge dem sammen i kabelkanaler eller på kabelstativ. Minimumsavstanden for lavspenningsledninger i henhold til EN1434-6 på 5 cm må overholdes.
- Eksisterende temperatursensorer kan byttes ut med tillatte 2- og 4-leders følerpar.

Anvisninger ang. installering av den pærede 2-leders temperaturføleren (type PS)

- ! Kablene av 2-leders temperaturfølerpar får verken forkortes eller forlenges. Disse temperaturfølerne får bare installeres slik som de ble levert.

- Hva angår varmemålere på opptil $6\text{m}^3/\text{t}$, kan temperaturfølere installeres i spesielle kuleventiler eller nedsenkningshylser som er godkjent for denne typen. Nasjonale retningslinjer må følges.
- For å skape en symmetrisk følerinstallasjons situasjon er det mulig å installere føleren installert av produsenten i volummålingsdelen inn på et annet målested. Det åpne stedet på volummåledelen lukkes deretter med tetningspluggen (art. nr.: 130030) låst.
- Maksimal kabellengde for den 2-leders temperaturføleren Pt 500 er 10 m.
- Føleren i den varmere strengen (T_{VL}) forbindes med klemmene 5 og 6, mens føleren i den kaldere strengen (T_{RL}) kobles til klemmene 7 og 8 (NB! tilkoblingene til kjølemåleren er forskjellige). Broer er ikke påkrevd. →  8

Direkte nedsenket følermontering i spesiell kuleventil → 11

- 1 Gjør monteringsstedet for føleren trykkløst.
- 2 Skru ut låseskruen fra spesialkuleventilen.
- 3 Sett medfølgende O-ring på monteringsstiften. Bruk bare én O-ring. Skift ut den gamle O-ringene med en ny ved utskifting av føleren.
- 4 Skyv O-ringene med monteringsstiften inn i hullet på låseskruen mens du vrir.
- 5 Plasser O-ringene permanent med den andre enden av monteringsstiften.
- 6 Brett monteringsstiften over temperaturføleren.
- 7 Fest messingskrueforbindelsen på føleren ved hjelp av monteringsstiften. Legg merke til den rillede tappens monteringsretning.
- 8 Sett inn temperaturføleren med skruerforbindelsen i kuleventilen.
- 9 Stram messingskrueforbindelsen for hånd (uten bruk av verktøy).




Ved installasjon i senkehyser, må følerne skyves inn til bunnen av senkehylsen og festes.

Plombering

- Etter installasjon og inspeksjon må temperaturføleren og grensesnittet mellom måleren og rørledningen plomberes.

Anvisninger ang. tilkobling av 4-leders temperaturfølere.

- Eventuelt kan 4-leders temperaturfølere, for eksempel hodetemperaturfølere, også kobles til regneverket.
- Maksimal kabellengde for den 4-leders temperaturføleren Pt 500 er 25 m.
- Føleren som sitter i den **varmere strengen** (T_{VL}) monteres til klemmene 1, 5, 6, 2. Føleren i den **kaldere strengen** (T_{RL}) monteres til klemmene 3, 7, 8 og 4 (NB! tilkoblingene til kjølemåleren er forskjellige). →  9

Kuldemåler

Dette kapittelet beskriver bare de av egenskapene og funksjonene til kjølemåleren som skiller seg fra varmemåleren.


Driftsvilkår

- Beskyttelsesmåte flowsensor IP 65
- Middeltemperatur Θ : +3 °C ... 50 °C

Generelle monteringsregler → 4


- Monter alltid regneverket separat fra volummålerenheten (f.eks. ved hjelp av valgfritt monteringssett).
- Isoler volummåledelen slik at den er diffusjonssikker.
- Denne måleren er ikke egnet for blandinger av glykol og vann (feilmåling).
- Legg forbindelsen mellom volummåledelen og temperaturføleren til regneverket med en dryppsløype for kondensvann.
- Før alltid kabelaen inn i regneverket nedenfra.

Montering av volummåledel

- Foretrukket installasjonssted (tilstand ved utlevering): →  4
 - Kuldemåler tilbakeløp/høy temperatur
- Valgfritt installasjonssted (konfigurasjonsendring nødvendig)
 - Kuldemåler foroverløp/lav temperatur

Montering av temperaturfølere

Anvisninger ang. tilkobling av 2-leders temperaturfølere (type PS)

- Føleren i den kaldere strengen (T_{VL}) forbindes med klemmene 5 og 6, mens føleren i den varmere strengen (T_{RL}) kobles til klemmene 7 og 8. Broer er ikke påkrevd. →  8

Anvisninger ang. tilkobling av 4-leders temperaturfølere

- Føleren som sitter i den kaldere strengen (T_{VL}) monteres til klemmene 1, 5, 6 og 2.
- Føleren som sitter i den varmere strengen (T_{RL}) monteres til klemmene 3, 7, 8 og 4.

→  9

Kombimåler

Dette kapittelet beskriver bare de av egenskapene og funksjonene til varmemåleren som skiller seg fra kombimåleren.

Driftsvilkår

- Beskyttelsesmåte flowsensor IP 65
- Middeltemperatur Ø: +3 °C ... 90 °C

Generelle monteringsregler

- Monter alltid regneverket separat fra volummålerenheten (ved hjelp av monteringssett).
- Isolér volummåledelen slik at den er diffusjonssikker.
- Denne måleren er ikke egnet for blandinger av glykol og vann (feilmåling).
- Legg forbindelsen mellom volummåledelen og temperaturføleren til regneverket med en dryppsløyfe for kondensvann.

Installasjonsposisjoner

- Monter volummåledelen rotert med $\leq 45^\circ$ i forhold til den horisontale røraksen.
- Før alltid kablet inn i regneverket nedenfra.


Montering av volummåledel

- Foretrukket installasjonssted (tilstand ved utlevering):
 - Kombimåler tilbakeløp/lav temperatur (ved varme)
- Valgfritt installasjonssted (konfigurasjonsendring nødvendig)
 - Kombinert måler/høy temperatur (ved varme)

Utvidelsesmoduler

- Energimåleren har et innstikkssted til å stikke utvidelsesmoduler innpå.
- Modulene har ingen innvirkning på registreringer av forbruk og kan ettermonteres uten å bryte kalibreringsmerket.
- Regneverket har automatisk registrering og visning av hvilken modul som er koblet til innstikksstedet (porten).
- Når du bruker radio og m-Bus samtidig, eller hvis m-bus-avlesningsfrekvensen er mindre enn 15 minutter, må det installeres en strømadapter.


Montering av modulene

- 1 Løsne de fire Torx-skruene (T20) fra kabinettets deksel og ta av dekselet.
- 2 Sett inn modulen ved hjelp av låsefanene og klikk på plass. →  13
- 3 Fjern nippelen på den korresponderende kabelgjennomføringsdelen med en tang.
- 4 Skyv m-bus, hhv. impuls-kabel gjennom gjennomføringsdelen.
- 5 Sett kablet inn i strekkavlastningen og koble til modulene.
- 6 Lukk dekselet og skru det på (anbefalt tiltrekkingmoment er 1,8 Nm).
- 7 Trykk på trykknappen for å sjekke målerfunksjonen.

! Regneverket registrerer en ny modul etter senest omlag 2 min. Ved å i kort tid trykke på knappen, foretas registreringen straks f.eks. for kommunikasjon med Techem-programvare.

- 5 Forsegl kabinettdekslet.

Montering av strømadapteren

- 1 Løsne de fire Torx-skrueene (T20) fra kabinetets deksel og ta av dekselet.
- 2 Sett strømadapteren inn i den nedre delen av regneverket til venstre. →  10
- 3 Koble strømforsyningspluggen til tilkoblingslederplaten.
- 4 Før strømtilkoblingskabelen inn i den nedre delen av regneverket gjennom venstre gjennomføringsdel.
- 5 Koble strømtilkoblingskabelen til forsyningsklemmene, sett på klemmedekselet og skru fast med skruer.
- 6 Lukk enhetens deksel og skru det på (anbefalt tiltrekkingsmoment er 1,8 Nm).



Når du bruker en strømadapter, må den aldri klemmes mellom to faser, ellers vil strømadapteren bli ødelagt. Berøringsbeskyttelsen må installeres når som helst. Forsyningsledningen må beskyttes med maksimalt 6 A og beskyttes mot å tukles med.

Visninger/betjening

De enkelte visningene kan veksles mellom ved hjelp av trykknappen, se kapitlet Visningsnivåer.

Info-koder

Hvis det oppstår en feil, vises infokoden i hovedsløyfen. Du kan fremdeles velge alle andre vinduer ved å trykke på en knapp.

Kode	Betydning
C-1	Måleren er permanent defekt og må skiftes ut. Avlesningsverdiene kan ikke brukes.
E-1	Feil temperaturmåling <ul style="list-style-type: none">• Utenfor temperaturområdet• Følerkortslutning• Ødelagt føler• Bytte ut måleren.
E-2	Radiokommunikasjon permanent defekt. Den aktuelle verdien som er avlest fra måleren (ikke skjæringsdato) kan brukes. Måleren må skiftes ut.
E-3	Tilbakeføler registrerer en høyere temperatur enn foroverløpsføler. (Varmemåler) Tilbakeføleren registrerer en lavere temperatur enn foroverløpsføleren. (Kuldemåler)
E-4	Flowsensor defekt. Bytte ut måleren.
E-5	Avlesning via det optiske grensesnittet. Måleren måler riktig. - For å spare strøm er det optiske grensesnittet i omtrent 24 timer midlertidig ute av drift.
E-6	Måleren oppdager feil flowretning. Sjekk monteringen.
E-7	Ikke noe brukbart ultralydmottakssignal. Som regel: Luft i ledningen

Info-koder vises på displayet i en separat rekkefølge. Så snart feilen/feilene er løst, vil ikke sekvensen vises lenger.

* Hvis det oppstår flere feil, vises disse på displayet fra venstre mot høyre. Unntak er C1-feilen, denne feilen vises kun alene.

Feilsøking

Før du søker etter en feil på energimåleren selv, kan du kontrollere følgende punkter:

- Er oppvarmingen på?
- Er sirkulasjonspumpen i gang?
- Er avstengningsenhetene helt åpne?
- Er ledningen fri (rengjør smussfellen om nødvendig)?

Dersom feil **E6** oppstår, så gjennomfør følgende tiltak:

- 1 Kontroller målermontering.
- 2 Start positiv flow.
- 3 Kontroller aktuell flow (LCD).
- 4 Vent til LCD slukkes igjen (ca. 5 min).
- 5 Trykk på tasten igjen.
- 6 Resultatet av registreringen av flowretningen vises først etter ca. 5 sek.
- 7 Kontroller LCD for hvorvidt E6 er slukket.

! Hvis E6 ikke er slukket, må måleren skiftes ut.

Visningsnivåer

Ved normal drift er displayet slått av. Ca. 5 minutter etter siste tastetrykk slås displayet av igjen. Visningen av flow-/temperaturdisplayet oppdateres hvert 5. sek. Måleren har 4 visningsnivåer. Du kan veksle mellom visningsnivåene med et langt tastetrykk. Med et kort tastetrykk kan du hoppe til neste visning innenfor et nivå.

Enkelte vinduer omfatter flere sekvenser. Disse vinduene slår seg hvert 2. sekund automatisk over til neste sekvens.

①	Primærsølyfe		
	Sekvens 1	Sekvens 2	Sekvens 3
PF	Feilmelding (hvis tilgjengelig)		
88	Segmenttest		
PH	Varmeenergi ¹		
PC	Kuldeenergi ²		
P1	Skjæringsdato *	Skjæringsverdi [varme]	Skjæringsverdi [kulde]
P2	Sammenlagt volum		
P3	Flow		
P4	Maks. flow		
P5	Temperatur tur		
P6	Temperatur retur		
P7	Temperaturdifferanse		
P8	Temperaturdifferanse		
P9	Maksimalverdi effekt [varme] (aktuell periode)	Maksimalverdi effekt [kulde] (aktuell periode)	

②	Metrologisk konfigurasjon		
	Sekvens 1	Sekvens 2	Sekvens 3
C0	Konfig		
C1	Konfigurasjon energienhet	kWh	
C2	Konfigurasjon energienhet	MWh	
C3	Konfigurasjon energienhet	GJ	
C4	Konfigurasjon monteringssted	Tilbakelep (RL)	
C5	Konfigurasjon monteringssted	Foroverlep (VL)	
CE	Slutt konfigurasjon		

③	Sekundærsølyfe		
	Sekvens 1	Sekvens 2	Sekvens 3
S0	Info		
S1	Radio på/av (kun for apparater med radiomodul)		
S2	Fremtidig forfallsdato		

S3	Serienummer			
S4	Fastvareversjon kalibrerende del	Fastvareversjon ikke- kalibrerende del	Fastvareversjon – Techem-del	Fastvare kontrollslum kalibrerende del
S5	M-bus-primæradresse			
S6	Modulkode			
S7	Pulsutgang 1, enhet, verdi			
S8	Pulsutgang 2, enhet, verdi			
S9	Pulsinnang 1, enhet, verdi			
SM	Glykolblanding			

Moduldeteksjon

«—»	Ingen modul
«mbus»	M-bus-modul
«pulsOut»	2x pulsutgang modul

4	Meteorologisk logg		
	Sekvens 1	Sekvens 2	Sekvens 3
L0	Logg		
L1	Dato (oppføring 1)	<ul style="list-style-type: none"> • Enhet • Monteringssted • Sletting av hendelseslogg • Kommasted • Tilbakestilling i produksjonsmodus • Stilling av klokkeslett 	
L2	Dato (oppføring 2)	<ul style="list-style-type: none"> • Enhet • Monteringssted • Sletting av hendelseslogg • Kommasted • Tilbakestilling i produksjonsmodus • Stilling av klokkeslett 	
L3	Dato (oppføring 3)	<ul style="list-style-type: none"> • Enhet • Monteringssted • Sletting av hendelseslogg • Kommasted • Tilbakestilling i produksjonsmodus • Stilling av klokkeslett 	

L4	Dato (oppføring 4)	<ul style="list-style-type: none"> • Enhet • Monteringssted • Sletting av hendelseslogg • Kommasted • Tilbakestilling i produksjonsmodus • Stilling av klokkeslett 	
L5	Dato (oppføring 5)	<ul style="list-style-type: none"> • Enhet • Monteringssted • Sletting av hendelseslogg • Kommasted • Tilbakestilling i produksjonsmodus • Stilling av klokkeslett 	

1 Gjelder kun varmemålere eller varme-/kuldemålere

2 Gjelder kun kuldemålere eller varme-/kuldemålere

* Før første stikkdag: Produksjonsdato eller valgfri startdato

KT = **kort** tastetrykk < 3 s

LT = **Langt** tastetrykk ≥ 3 s og < 10 s

2s = **Intet** tastetrykk, **automatisk veksling** av visning **etter 2 s**

Konfigurasjonsnivå - for å stille inn de variable enhetsegenskapene

- C4 – C5 "Place"- Monteringssted (☰) - tilbaketilbake/☞ - foroverløp)

For å f.eks. stille inn monteringsstedet **Foroverløp** er følgende fremgangsmåte nødvendig:

- 1** Veksling til sløyfen «Meteorologisk konfigurasjon» (C0- Konfig)
- 2** Trykk på knappen kort og gjentatte ganger helt til display C5 vises.
- 3** Trykk deretter på knappen i lang tid til visningen endres til «Set».
- 4** Foroverløp er nå stilt inn.



Legg merke til installasjonsstedet for temperaturføleren eller monter temperaturføleren i henhold til programmeringen.










- 5** Gå fram på samme måte for å stille inn energienheten.

Vær oppmerksom på:

Dersom ingen taster trykkes vil skjermen gå tilbake til «C0 – Konfig».

Begrensning av parametrisering se kap. «Enhetsegenskaper».

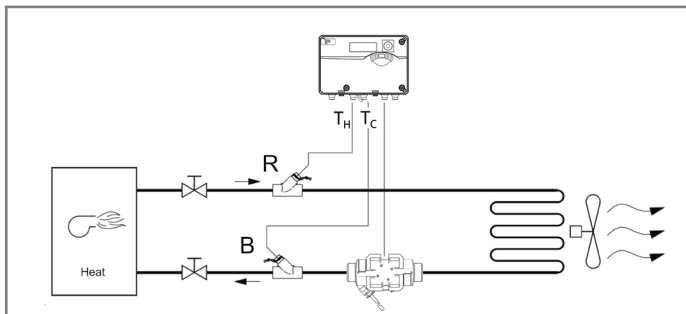
Symboler (typeskilt/display)

	Varmeføler (varmeenergi)	T	f.eks. 00555102	Artikkelnummer	T
	Kuldeføler (kuldeenergi)	T	f.eks. IP	Målerens beskyttelse- sklasse	T
	Kombimåler, varme samsvarserklært	T	f.eks. E1	elektromagnetisk nøyaktighetsklasse	T
	Foroverløp	D	f.eks. M1	mekanisk nøyaktighetsklasse	T
	Tilbakeløp	D	f.eks. DE-17-MI004-...	Konformitetsnummer	T
	Feilvisning (varseltrekant) i alle visninger	D	qp [m ³ /h]	minimumsgjennom- strømning (ved qi/qp = 1:50)	T
	Illustrasjon for de respek- tive visningsnivåene	D	qp [m ³ /h]	Nominell gjennom- strømning	T
	Visning av Flowretning	D	qs [m ³ /h]	største flow	T
	Identifikasjon av kalibrert verdi (for fakturering)	D	Θ / Θq [°C]	Temperaturområde	T
CE M... ..	Kalibreringsår, teknisk kontrollorgan,...	T	ΔΘ [K]	Temperaturdifferanse	T
PN/PS	Flownivå	T	4s	Temperaturmålehastig- het 4 sekunder	

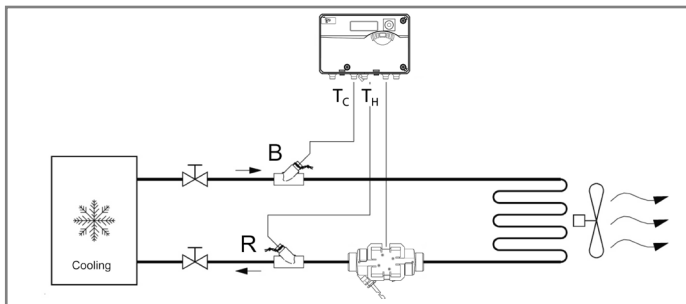
Forklaring

D = display

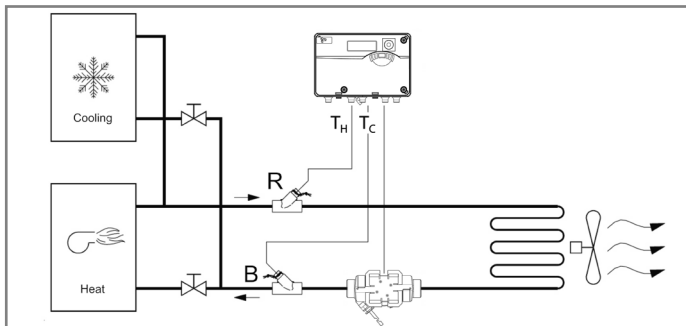
T = typeskilt



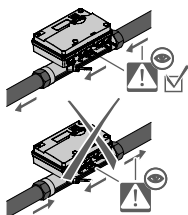
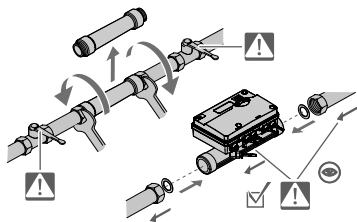
▲ 1



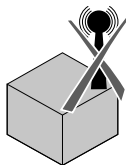
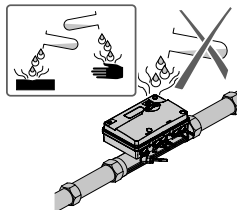
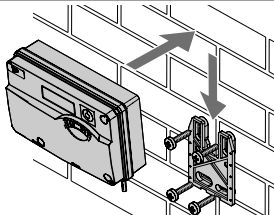
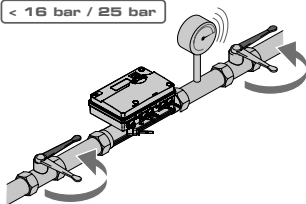
▲ 2

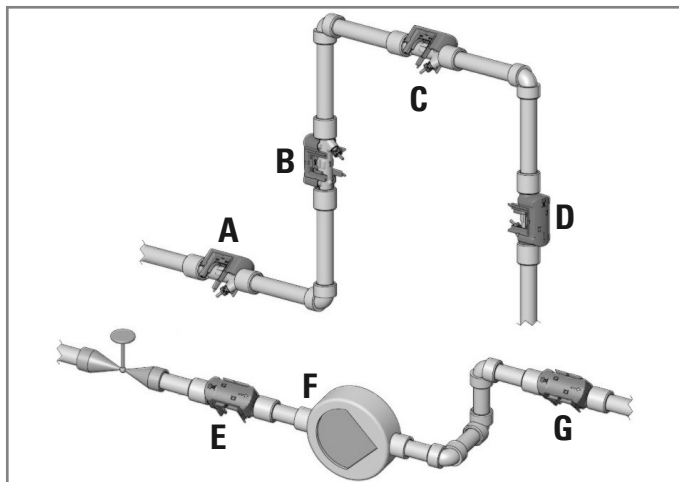


▲ 3

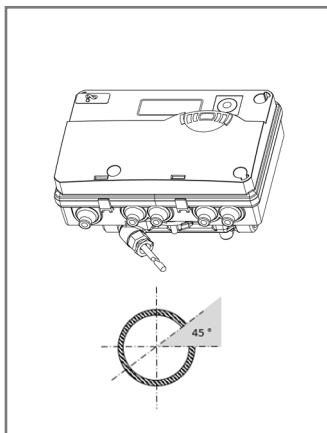


< 16 bar / 25 bar

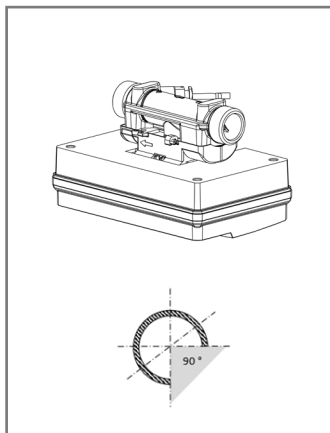




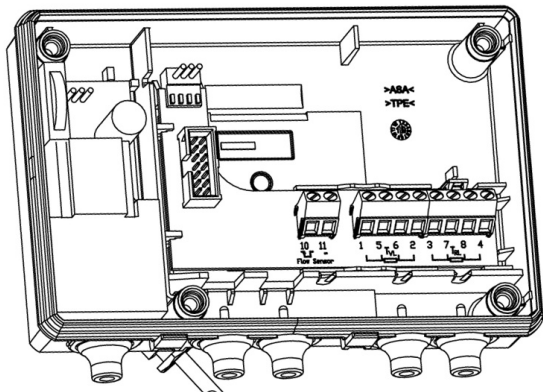
▲ 5



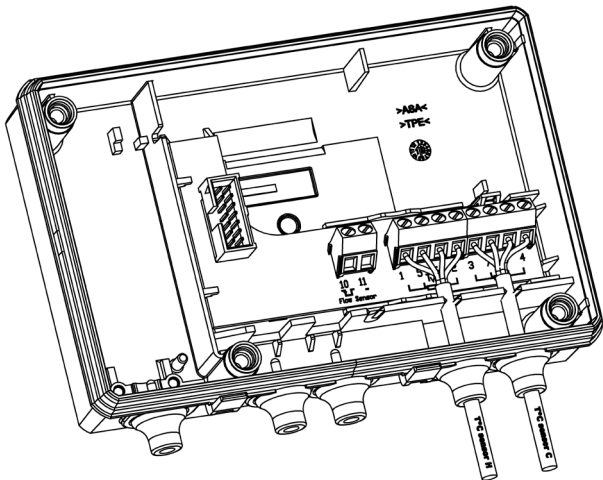
▲ 6



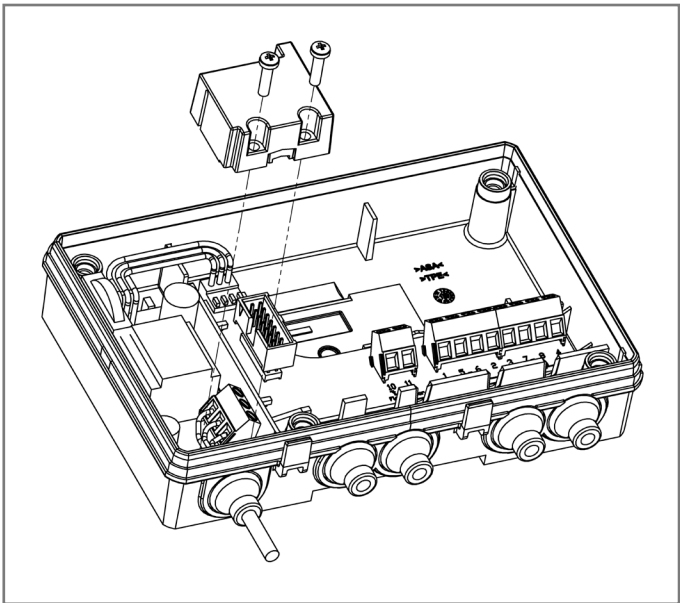
▲ 7



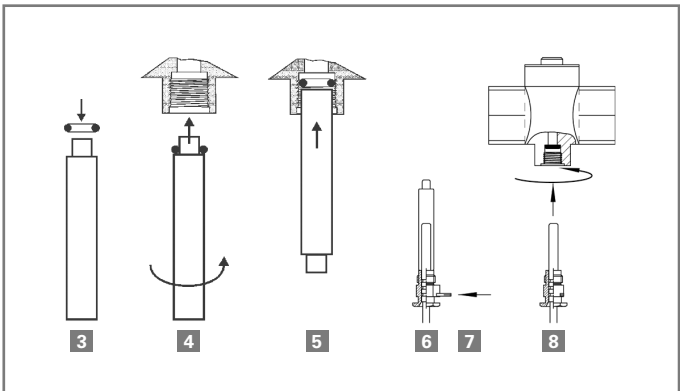
8



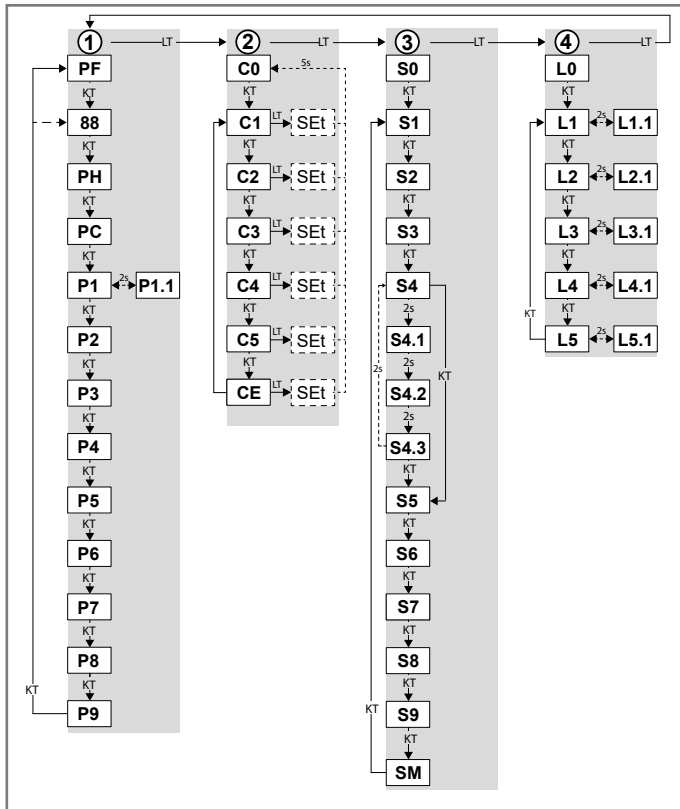
9



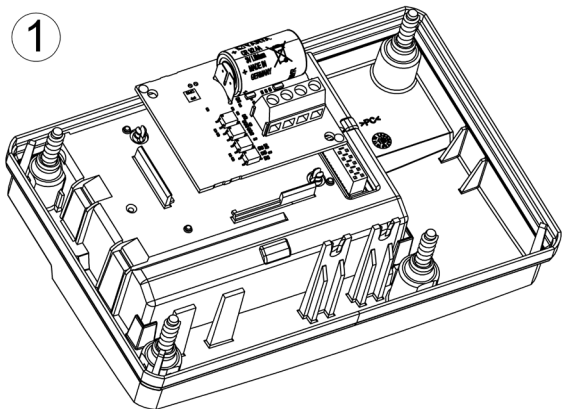
▲10



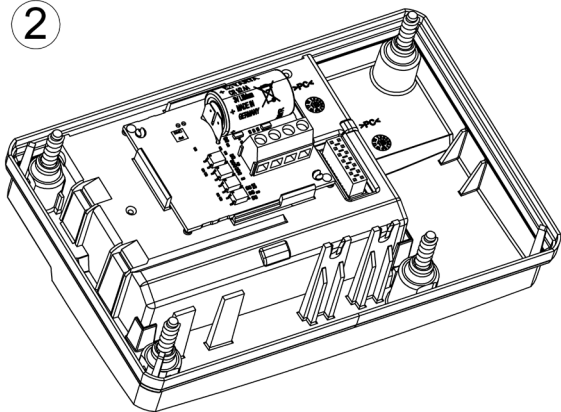
▲11



1



2



Techem Energy Services GmbH
Hauptstraße 89 · D-65760 Eschborn
www.techem.de

Techem
Bâtiment Gay Lussac, 20 avenue Edouard
Herriot · F-92356 LE PLESSIS ROBINSON

„Techem“-Techniki Pomiarowe Sp. z o.o.
os. Lecha 121 · PL 61-298 Poznań

Techem S.r.l.
Via dei Buonvisi 61D" · I-00148 Rom

Techem Danmark A/S
Trindsøvej 7A-B · DK-8000 Aarhus C

Techem Energy Services B.V.
Takkebijsters 17-1 · NL-4817 BL Breda

Techem spol. s r. o.
Hattalova 12 · SK-831 03 Bratislava

Techem Enerji Hizmetleri San.ve Tic. Ltd.Şti.
Büyükdere Caddesi,
Nevtron Plaza 119 · TK-34349 Istanbul

Techem Services EOOD
Prof. G.Pavlov Str.3 · BG 1111 Sofia

Techem OOO
Nizhnajaja Syromjatnicheskaja 5/7,
Stroenje 9, · RSF-105120 Moscow

Techem Norge A/S
Dicks vei 10B · NO-1366 Lysaker

Techem Energy Services ES
Calle Musgo, Nº 3, Sótano "Parque
empresarial La Florida" · ES-28023 Madrid

Techem, spol. s r. o.
Služeb 5 · CZ-10800 Praha 10

Techem Kft.
Átrium Park Irodaház , Váci út 45
(A-épület, 7. emelet) · HU- 1134 Budapest

Techem Energy Services SRL
Delea Veche Str. No. 24A · RO-024102
Bucuresti, sector 2

Techem Sverige AB
Företagsgatan 9- SE-23351 Svedala