

Measuring and
billing service

Installation accessories for measuring capsule water meters

Extensive, consistently modular-designed measuring capsule accessories system for flush mounting and surface mounting.

Product description

Flush mounting

The measuring capsule connectors for flush mounting are installed permanently in the pipeline for flush mounting.

Flush mounting block

The flush mounting block includes the measuring capsule connector and a stop cock (compatible with Grohe products) for one or two pipe trains. It allows short assembly times and top results because the installation parts don't need to be separately aligned, connected and insulated.

Flush connector

With a soldered connection or an internal screw thread for various diameters and flows. Guarantees easy mounting for all commonplace flush-mounted installations.

Facing

If using flush mounting, the wall openings for the measuring capsule water meters can be faced with round or square chromium-plated or colourful sleeves and rosettes.

Optional

Extensions and flow direction converters a later stage are available for connectors or contrary to the direction of flow.

Surface mounting

The connectors are mounted between the meter union pieces or on the tap if surface mounting.

Surface connector

Available in three face-to-face dimensions and two screw thread sizes and in tap design for the diverse mounting of the measuring capsule water meters in all common surface installations, such as a washstand for example.

Measuring capsule mounting

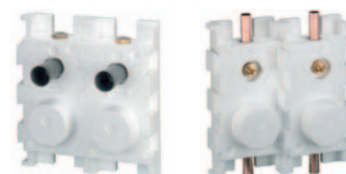
No additional seals are required for measuring capsule water meters. The integrated O-rings ensure a safe sealing function and a high expenditure of force is avoided when mounting.

Assembly wrench

Simplifies the assembly and disassembly of the measuring capsules and their mounting components.



Flush mounting



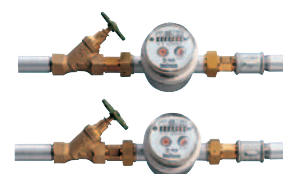
Flush mounting blocks



Flush connectors



Facing



Surface mounting



Surface connectors



Assembly wrench

Technical data

Nominal pressure bar	PN 16
Nominal temperature °C	up to 90°
Material	Brass

Flush-mounting dimensions

W = \varnothing 112 mm

H = 100 mm

h = 22 mm

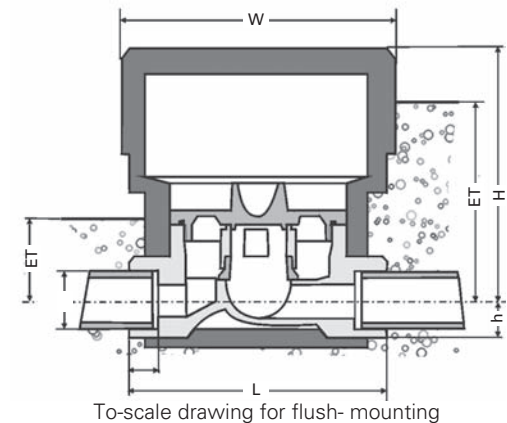
A = Rp 1/2, Rp 3/4, solder 15, solder 18, solder 22 mm

L = 105 mm

ET = Flush-mounting depth

for vario S, puls S II, data III: min. 37 mm / max. 67

for m-bus III: min. 57 mm / max. 87



Surface-mounting dimensions

h = 17 mm

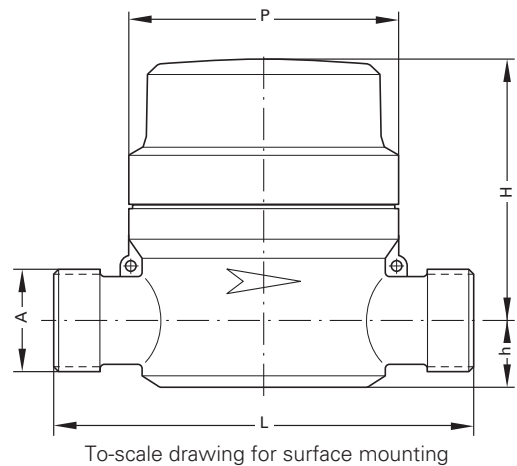
A = G3/4B, G1B

L = 80 / 110 / 130 mm

P = \varnothing 72 mm

H = 66 mm (vario S, puls S II)

H = 76 mm (m-bus S III, data III)



Surface-mounting connection

80 mm G3/4B	00 160 833
110 mm G3/4B	00 160 124
130 mm G3/4B	00 160 324
130 mm G1B	00 160 333
190 mm G1B	00 160 933
110 mm G3/4B x G3/4 Tap	00 160 400

Accessories

40 mm extension	00 160 503
Flow direction converter	00 160 515
Assembly wrench	00 160 007
Disassembly wrench	00 160 001

Flush-mounting connection

Rp 1/2	00 160 610
Rp 3/4	00 160 710
Solder 15 mm	00 160 310
Solder 18 mm	00 160 410
Solder 22 mm	00 160 510

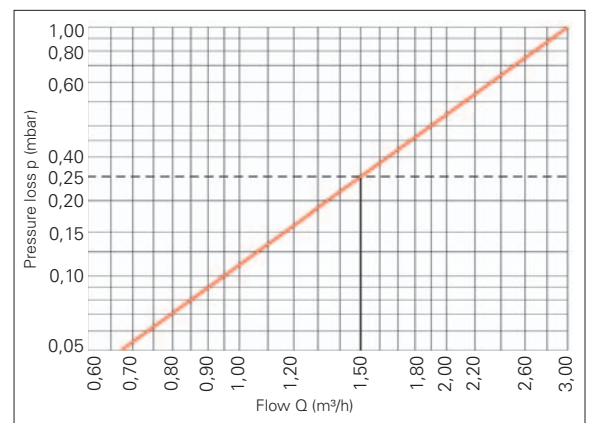
Chromium-plated facing

Protective sleeve	00 160 901
Round rosette \varnothing 152 mm	00 160 902
Square rosette \varnothing 145 mm	00 160 903
Click-on rosette \varnothing 130 mm	00 160 907

Techem Energy Services Middle East FZCO

Head office: P.O. Box 341002 • Dubai, U.A.E. • www.techem-me.com

Telephone: +971 (4) 5015515/16/17 • Fax: +971 (4) 3724889 • E-mail: info@techem-me.com



Pressure loss curve for measuring capsules incl. flush/surface-mounted connector